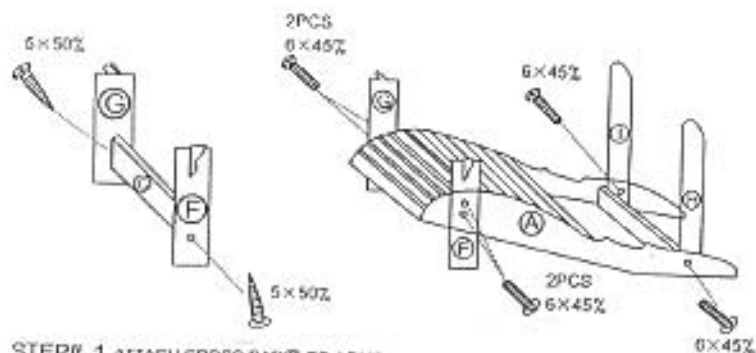
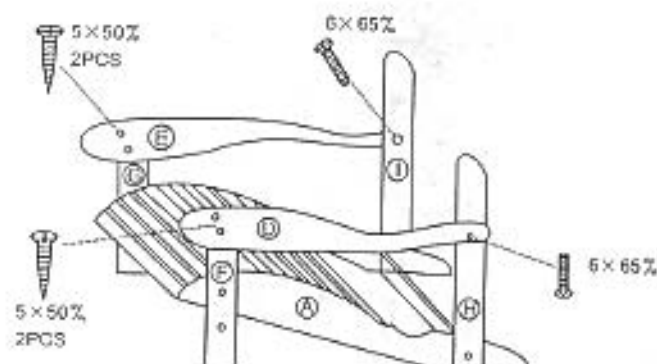


ASSEMBLY INSTRUCTION

LIST OF PARTS

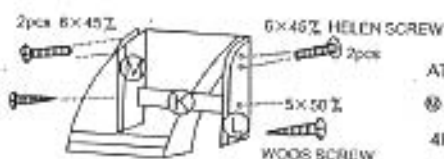
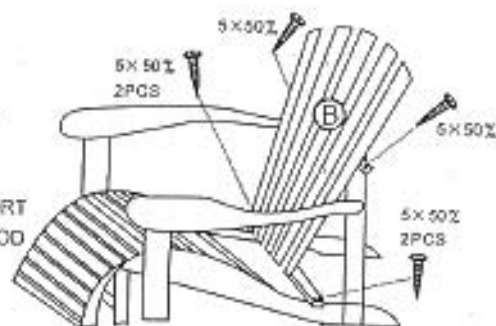


STEP# 1. ATTACH CROSS BAR (D) TO ARMREST FRONT SUPPORT (E) AND (F) USING 2PCS 5x50% WOOD SCREWS. THEN ATTACH ASSEMBLED SEAT FRAME (A) TO (D) AND (E) AND (F) USING 4PCS 6x45% HELEN SCREWS. ATTACH REAR CROSS BAR (G) TO ASSEMBLED SEAT FRAME (A) BY USING 4PCS 5x50% WOOD SCREWS. ATTACH ARMREST REAR SUPPORT (H) AND (I) TO (A) USING 2PCS 6x45% HELEN SCREWS.



STEP# 2. ATTACH ARMREST (J) AND (K) TO (A) USING 4PCS 5x50% WOOD SCREWS. THEN ATTACH (L) AND (M) USING 2PCS 6x65% HELEN SCREWS.

STEP# 3. ATTACH SEAT BACK FRAME (N) TO ASSEMBLED SEAT FRAME (A) USING 4PCS 5x50% WOOD SCREWS. ATTACH SEAT BACK FRAME (N) TO ARMREST REAR SUPPORT (O) AND (P) USING 2PCS 5x50% WOOD SCREWS.



ATTACH FOOTREST SUPPORT (Q) AND (R) TO FOOTREST FRAME (S) USING 4PCS 6x45% HELEN SCREWS. ATTACH FOOTREST CROSS BAR (T) TO (S) AND (S) USING 2PCS 5x50% WOOD SCREWS.

